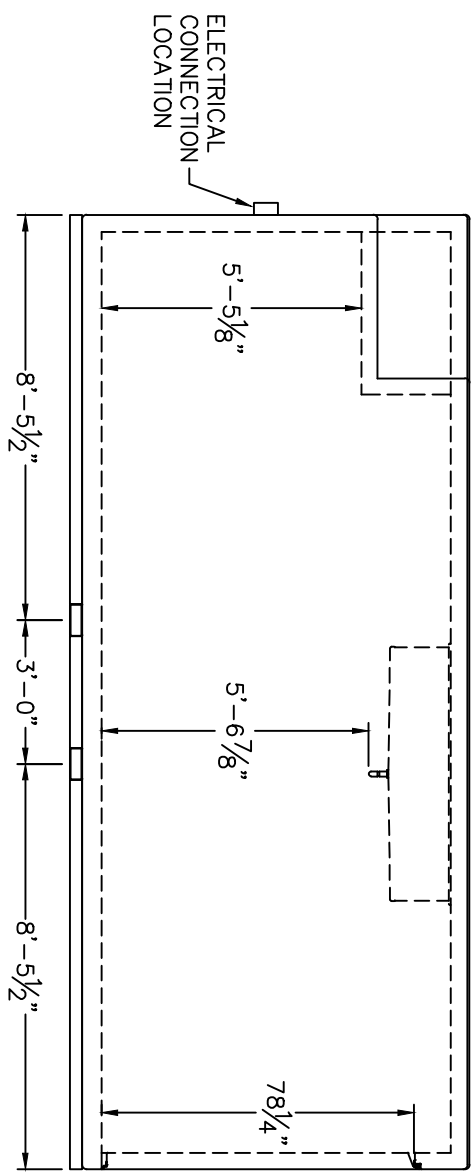
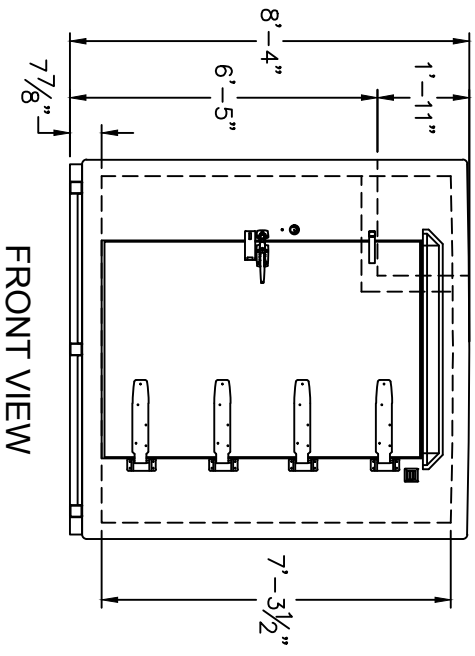


PLAN VIEW



ELEVATION VIEW

3" FORK LIFT FRAME  
PALLET LIFT DOOR



FRONT VIEW

ROOM TEMP:	-10°F to 35°F
INTERIOR AREA:	140 sq. ft.
INTERIOR VOLUME:	1018 cu. ft.
HORSEPOWER:	2.25 hp.
REFRIGERANT:	R-404A
ELEC. SUPPLY:	115/208-230
PHASE:	Single
CYCLE:	60 hz.
AMPERAGE:	27.1 MCA

THE REFRIGERATION SYSTEM SHOWN IS DESIGNED TO MAINTAIN INDICATED TEMPERATURE IF PRODUCT ENTERS WITHIN 10°F OF FINAL HOLDING TEMPERATURE. PLEASE CONTACT YOUR SALES REP IF INCOMING PRODUCT WILL BE ENTERING AT HIGHER TEMPERATURES.

DRAWN BY:	MODEL NO.:	SCALE:	DATE:
BUS	DT820	1/4" = 1'-0"	10-14-16
DRAWING NAME: Low Profile DT820 Pallet			

