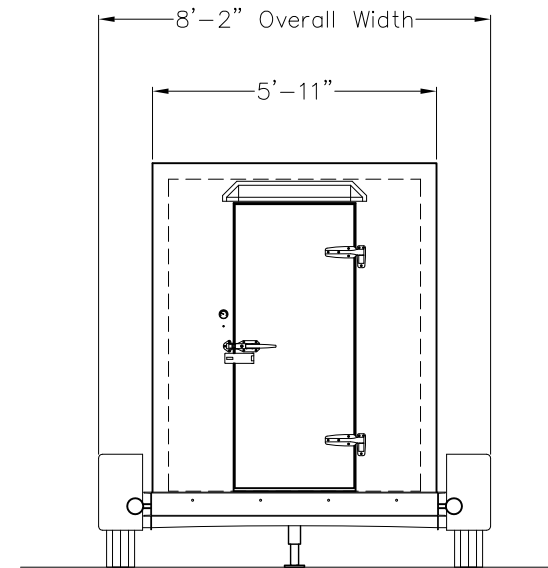
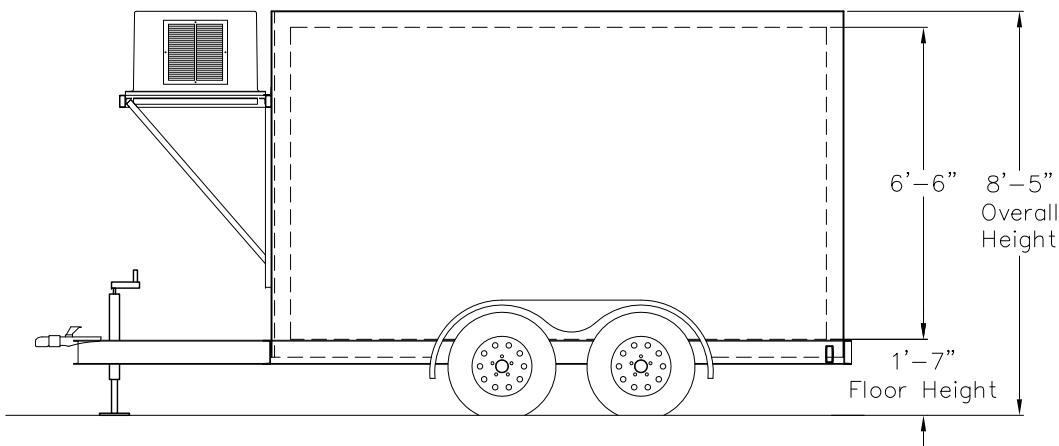


INSIDE DIMENSIONS:
5'-3" WIDE
11'-3" LONG
6'-6" HIGH



ROOM TEMP.:
-10°F
INTERIOR AREA:
59 sq. ft.
INTERIOR VOLUME:
384 cu. ft.
HORSEPOWER:
1 1/2 hp.
REFRIGERANT:
R-404A
ELEC. SUPPLY
208-230
PHASE:
Single
CYCLE:
60 hz.
AMPERAGE:
19.4 MCA



DRAWING APPROVAL

PLEASE INDICATE YOUR APPROVAL OF THIS DESIGN, THE DIMENSIONS, DOOR LOCATION/SWING, ELECTRICAL REQUIREMENTS AND EQUIPMENT LOCATIONS BY SIGNING BELOW AND RETURNING TO POLAR KING.

DATE:

BY:

Polar Leasing

DRAWN BY: RDA	MODEL NO.: L612T	SCALE: 1/4"=1'-0"	DATE: 12-30-10
------------------	---------------------	----------------------	-------------------

DRAWING NAME:

L612T



Polar King[®]
INTERNATIONAL INC.

FORT WAYNE, INDIANA

1-800-752-7178

THE REFRIGERATION SYSTEM SHOWN IS DESIGNED TO MAINTAIN INDICATED TEMPERATURE IF PRODUCT ENTERS WITHIN 10°F OF FINAL HOLDING TEMPERATURE. PLEASE CONTACT YOUR SALES REP IF INCOMING PRODUCT WILL BE ENTERING AT HIGHER TEMPERATURES.