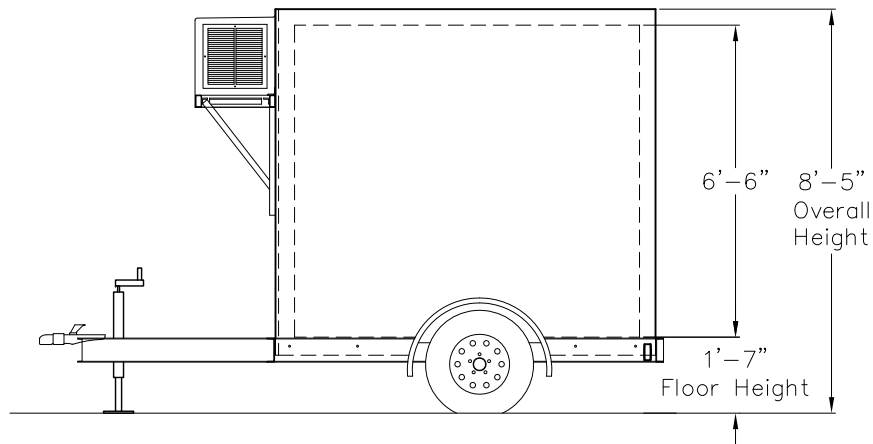
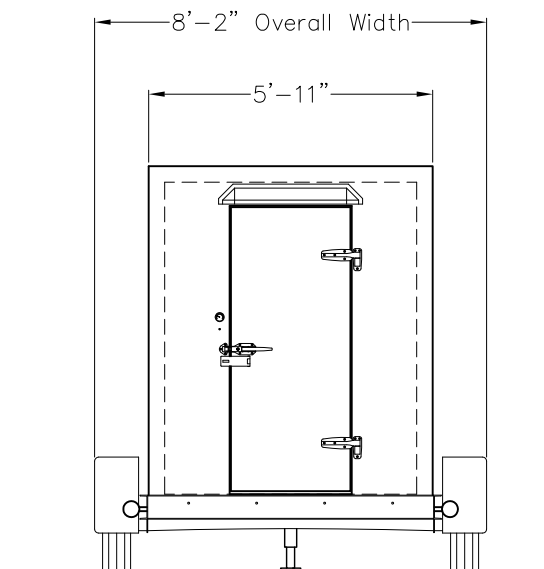


INSIDE DIMENSIONS:
5'-3" WIDE
7'-3" LONG
6'-6" HIGH



THE REFRIGERATION SYSTEM SHOWN IS DESIGNED TO MAINTAIN INDICATED TEMPERATURE IF PRODUCT ENTERS WITHIN 10°F OF FINAL HOLDING TEMPERATURE. PLEASE CONTACT YOUR SALES REP IF INCOMING PRODUCT WILL BE ENTERING AT HIGHER TEMPERATURES.

ROOM TEMP.:
35°F
INTERIOR AREA:
38 sq. ft.
INTERIOR VOLUME:
247 cu. ft.
HORSEPOWER:
3/4 hp.
REFRIGERANT:
R-22
ELEC. SUPPLY
110
PHASE:
Single
CYCLE:
60 hz.
AMPERAGE:
19.9 MCA



DRAWING APPROVAL

PLEASE INDICATE YOUR APPROVAL OF THIS DESIGN, THE DIMENSIONS, DOOR LOCATION/SWING, ELECTRICAL REQUIREMENTS AND EQUIPMENT LOCATIONS BY SIGNING BELOW AND RETURNING TO POLAR KING.

DATE: _____ BY: _____

Polar Leasing

DRAWN BY: RDA MODEL NO.: H68T SCALE: 1/4"=1'-0" DATE: 12-30-10

DRAWING NAME: H68T



Polar King[®]
INTERNATIONAL INC.

FORT WAYNE, INDIANA

1-800-752-7178