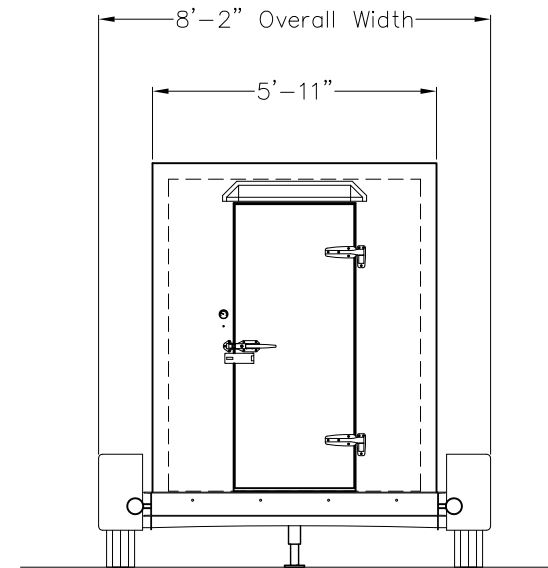
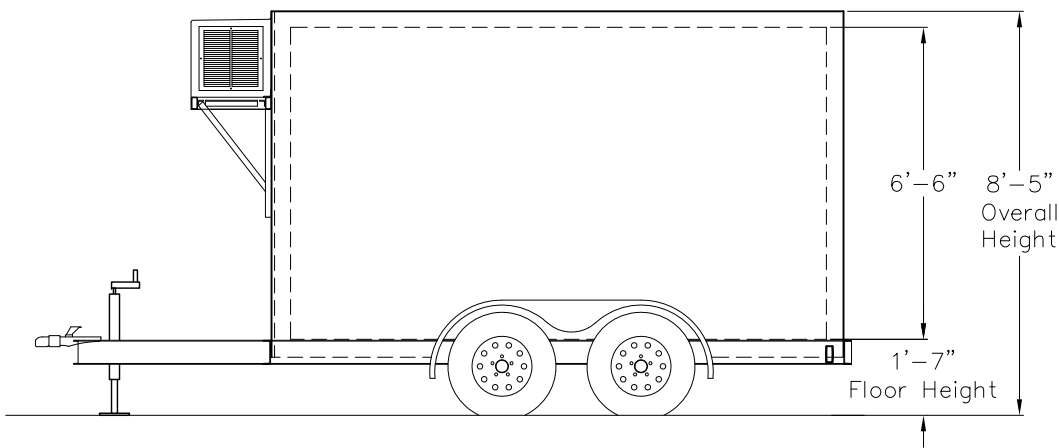


INSIDE DIMENSIONS:  
 5'-3" WIDE  
 11'-3" LONG  
 6'-6" HIGH



ROOM TEMP.:  
 35°F  
 INTERIOR AREA:  
 59 sq. ft.  
 INTERIOR VOLUME:  
 384 cu. ft.  
 HORSEPOWER:  
 1 hp.  
 REFRIGERANT:  
 R-22  
 ELEC. SUPPLY  
 110  
 PHASE:  
 Single  
 CYCLE:  
 60 hz.  
 AMPERAGE:  
 15.5 MCA

### DRAWING APPROVAL

PLEASE INDICATE YOUR APPROVAL OF THIS DESIGN, THE DIMENSIONS, DOOR LOCATION/SWING, ELECTRICAL REQUIREMENTS AND EQUIPMENT LOCATIONS BY SIGNING BELOW AND RETURNING TO POLAR KING.

DATE: \_\_\_\_\_ BY: \_\_\_\_\_

### Polar Leasing

DRAWN BY: RDA	MODEL NO.: H612T	SCALE: 1/4"=1'-0"	DATE: 12-30-10
------------------	---------------------	----------------------	-------------------

DRAWING NAME: H612T



**Polar King**<sup>®</sup>  
 INTERNATIONAL INC.

FORT WAYNE, INDIANA

1-800-752-7178

THE REFRIGERATION SYSTEM SHOWN IS DESIGNED TO MAINTAIN INDICATED TEMPERATURE IF PRODUCT ENTERS WITHIN 10°F OF FINAL HOLDING TEMPERATURE. PLEASE CONTACT YOUR SALES REP IF INCOMING PRODUCT WILL BE ENTERING AT HIGHER TEMPERATURES.